



GENEVO MAX

CONGRATULATIONS ON PURCHASING GENEVO MAX

MAIN FEATURES OF YOUR GENEVO MAX DETECTOR:

GENEVO MAX is the first member of new lineup of Genevo radar detectors.

It is designed primarily to protect the driver from unnecessary penalties for speeding due to reliable **detection of:**

- microwave radars (K, Ka).
- multiRadars CT and CD.
- GATSO RT3 and RT4 radars.
- red-light cameras.
- stationary speed cameras.
- section speed cameras (using GPS updatable database).

ALERT INTERPRETATION:

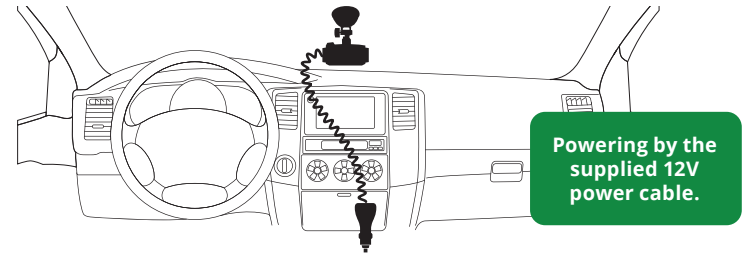
In the case of a radar alert, a **visual** warning appears on the display. A **voice** refers to the frequency band and the

intensity of the intermittent tone (**beep**) expresses the strength of the received signal. The signal strength has nine levels for better distance expression. GPS points are reported verbally, such as "section speed cameras".

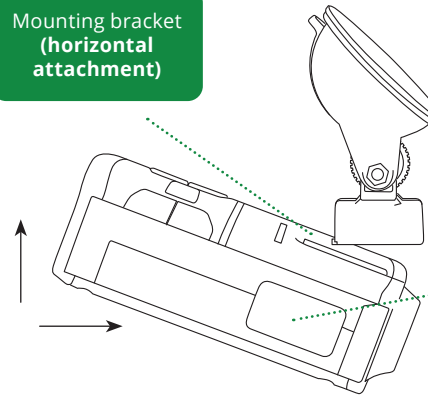
ADVANCED FEATURES:

- Motion sensor for contactless operation. Silence the alert without having to search for the right button.
- Ambient light sensor for automatic brightness adjustment. The display automatically adjusts the brightness according to the amount of light in the cabin.
- Noise sensor in the cabin. The detector automatically adjusts the alert volume according to the level of noise inside the vehicle.

QUICK GUIDE:



Mounting bracket
(horizontal attachment)



Mounting bracket
(Vertical attachment)



1. 12V power input
2. 3.5mm jack for headphones
3. USB-C input for PC updates
4. Control buttons
5. Status indicator
6. Motion sensor
7. Control buttons
8. Menu button
9. Mounting bracket
10. Laser sensor

CONTROL

HOME SCREEN:



Brightness control

Increase the volume

Decrease the volume

Short press: **Sensitivity setting**
Long press: **Add a custom point**

Short press: **Main menu**
Long press: **Turn off**

MAIN MENU:



Move the menu left

Move the menu right

Short press: **Enter the submenu**
Long press: **Return to the home screen**

SETTING SUBMENU:



Currently selected item to edit

Change item value

Move the menu up

Change item value

Move the menu down

Short press: **Return to main menu**
Long press: **Return to the home screen**

DURING ALERT:



Hand gesture, or short press of any button will silence the alert

Any button will lockout false alert location when long pressed

When pressed repeatedly: **Brightness control**

When pressed repeatedly: **Increase the volume**

When pressed repeatedly: **Sensitivity setting**

When pressed repeatedly: **Main menu**

When pressed repeatedly: **Decrease the volume**

MAIN MENU ITEMS

USER INTERFACE SETTINGS:



DISPLAY: Setting the information displayed on the right side of the display:

- TIME 24H - Displays time in 24h format.
- VOLTAGE - Displays the battery voltage.
- COMPASS - Displays driving direction.
- TIME AM/PM - Displays time in 12h format.

TIME: Setting local time zone.

USER BUTTON: The user button on the supplied power cable can be set to the following functions:

- NONE - No function.
- LOCKOUT - Suppresses a false alert location.
- MUTE - Mutes an alert message.
- MARK - Creates a user area.
- SENSITIVITY - Changes the sensitivity setting.
- BRIGHTNESS - Changes the brightness setting.
- POWER OFF - Turns the detector off.

STARTUP SOUND: ON / OFF

GPS STATUS SOUND: ON/OFF. Notification of GPS connection/disconnection status.

ALERTS: Set the alert type.

- VOICE PRIORITY - The detector announces the detected band first, then beeps according to the alert intensity.
- BEEP PRIORITY - The detector first starts beeping, then announces the detected band and then continues beeping.
- BEEP ONLY - The detector only beeps with the relevant band tone but does not report the detected band type.

AUTO MUTE: ON/OFF. Automatically reduces the volume of alert messages after 5 seconds.

AUTO VOLUME: ON/OFF. Automatically adapts the selected volume to the noise in the vehicle cabin.

K TONE: 1-15 - Options for selecting different alert tone

KA TONE: 1-15 - Options for selecting different alert tone

MD TONE: 1-15 - Options for selecting different alert tone

MT TONE: 1-15 - Options for selecting different alert tone

G3 TONE: 1-15 - Options for selecting different alert tone

G4 TONE: 1-15 - Options for selecting different alert tone

This option allow you to choose different sound for each band separately.

MOTION SENSOR: ON/OFF

Selecting "ON" opens the motion sensor sensitivity settings.

SENSITIVITY: LOW/MID/HIGH

UNITS: METRIC / IMPERIAL

LANGUAGE: ENGLISH / ČESKÝ / DEUTSCH

FACTORY RESET: Returns to factory settings.

ALL USER AREAS DELETED: Deletes all saved user areas.

LOCKOUT RESET: Deletes all false alert locations (lockouts).

ALERTS NOTIFICATION SETTINGS:



SENSITIVITY: HIGHWAY - Maximum detector sensitivity.

CITY - Reduced sensitivity. We recommend using the reduced sensitivity only in the case of frequent alerts on a certain band (e.g. when driving abroad with frequent false alerts on the "K" band).

AUTO CITY - Automatically changes the maximum and reduced sensitivity depending on the speed.

CITY: Sets the limit of reduced sensitivity. (E.g.: If you often encounter false alerts on the "K" band with signal strength 2 when driving through the city, then set K2, the detector will not warn of any signal lower than and equal to the set intensity, OFF will turn off this band in reduced sensitivity).

K: 0-9/OFF

Ka: 0-9/OFF

ACITY (AUTO CITY): This feature enables the sensitivity limit on the K, and Ka bands within the speed range set by ACITY Speed (see ACITY Speed below).

K: 0-9/OFF

Ka: 0-9/OFF

ACITY (AUTO CITY) SPEED: Automatically adjusts sensitivity to your speed. E.g. When set to 30 50, the detector will not notify you of any signal at speeds of less than 30 km/h, at speeds of 30-50 km/h, the detector will notify you according to the ACITY setting, and when driving at speeds over 50 km/h, the detector will automatically notify you with maximum sensitivity. When driving below the set speed, the detector will not warn of radars.

MIN SPEED: OFF/10-130KM/H - Sets the minimum speed at which the detector starts to alert on radars. E.g. when set to 20KM/H, the detector will only start to warn when this speed is exceeded.

K BAND: ON/OFF

K FILTER: NORMAL/HIGH/OFF

KA BAND: NARROW – Narrowed Ka band for more specific band setup and fewer false alerts.

WIDE – enables detection of the whole Ka band.

OFF – disables Ka band detection.

KA BAND 34.0: ON/OFF

KA BAND 34.3: ON/OFF

KA BAND 34.7: ON/OFF

KA BAND 35.5: ON/OFF

KA FILTER: NORMAL/HIGH/OFF

LASER DETECTION: ON/OFF

MR CT: WIDE/NARROW/OFF

MR CD: WIDE/NARROW/OFF

GATSO RT3: ON/OFF

GATSO RT4: ON/OFF

MR FILTER: LOW/HIGH/OFF - This function filters out false alerts of cars that use a blind-spot assistant or adaptive cruise control. When the MR Filter function is active, detector sensitivity to MR CT/CD radars is slightly reduced.

New Firmware updates add detections of new types of radars, all supported radars, recommended settings and more information can be found at genevo.com/radars.

GPS POINT ALERTS:

GPS GPS DETECTION 250m ◆◆◆

ALERT DISTANCE: 250m/350m/ 450m (setting the distance of GPA point warning).

OVERSPEED: -10 km/h to +10 km/h (setting of possible speeding without warning).

SPEEDCAM: ON/OFF

AVERAGE SPEEDCAM: ON/OFF

RED-LIGHT CAM: ON/OFF

DANGEROUS SPOT: ON/OFF

LOCKOUT THE FALSE

ALERT LOCATION:

During an alert, by long pressing any button, suppress the false alert location.

ADD YOUR OWN

GPS POINT:

Long press any button to add your own GPS point.

INFO:

? DB VERSION 29/05/2021

This section contains information about the firmware version, database version, device serial number, contacts and more.

SPEEDMETER - LEGALIZATION FUNCTION:

This feature is used to legalize the device for use in countries where the radar detectors are prohibited. The detector stops alerting to radars and lasers. Only your current speed will appear on the display and all radar and laser detection settings will disappear from the menu. When entering the radar settings submenu, a notification of deactivated functions will appear.

To activate the Speedmeter, the detector must be turned ON, hold down the "brightness control" and "change volume" buttons simultaneously for 5 seconds. To deactivate the speedmeter function, it is necessary to update the detector in the usual way and all functions will be fully functional again, for help with updating continue to page 10.

DATABASE UPDATE:

It is recommended to update the GPS database once a month. The detector can be updated in two ways:

1. Simply online for WIN and MacOS at:
www.genevouupdate.com
2. By downloading the updater software for Windows OS at:
www.genevo.com/en/updates/

On these websites, you will find help on how to update and also a newsletter form, so we will keep you informed about every newly released update.

OPERATING FREQUENCY:

GPS: GPS, GLONASS, Galileo a QZSS
Ka narrow: 34,0 GHz, 34,3 GHz, 34,7 GHz, 35,5 GHz (±120 MHz)
Ka wide: 33,4 GHz ~ 36,0 GHz
K narrow: 24,125 GHz (±70 MHz)
K wide: 24,125 GHz (±150 MHz)
MultaRadar: CD/CT
GATSO: RT3/RT4
Laser: 904nm

TECHNICAL PARAMETERS:

Operation temperature: -20 °C to +85 °C
Storage temperature: -20 °C to +85 °C
Operation voltage: 11 V - 26 V
Power consumption: 250 mA normal, 330 mA max. (at 12 V)
Dimensions: 101 mm × 68 mm × 33 mm

EXPLANATORY NOTES:

Radar frequency bands:

Different radar bands are used to measure speed, most often Ka, K, X, or newer MultaRadars and GATSO Radars that have extremely low transmit power and are hard to detect. Different bands and frequencies are used in each country, it is therefore

necessary to have the detector set up correctly for each country.

- **Ka** - One of the most commonly used radar band for speed measuring.
- **K** - The most widely used band at all, is commonly used for automatic doors at petrol stations and shops, adaptive

cruise control, etc. Devices operating in the "K" band cause false alerts, so their quality filtration is essential.

- **X** - Less and less used band, used only in some Eastern European countries.
- **CD/CT MultaRadars** - Modern radars used in Austria, Iceland, Netherlands, Poland, Portugal, Slovakia, Spain.
- **GATSO radars** - Are the worst are the worst detectable ones, they can be stationary or mobile. They are used in Belgium, France, Finland, Great Britain, Lithuania, Netherlands, Slovenia. They are divided into RT2/RT3/RT4 - a higher number means a more modern version. The detection of these radars is possible only by the latest and most sensitive detector.

Narrow: Narrowed bands. Frequency of a specific part of a band is detected in the narrowed band to increase sensitivity and eliminate false alerts.

Wide: Broadband mode, on the other hand, searches for example the entire Ka band from 33.4 GHz to 36.0 GHz. Use this setting only if absolutely necessary, as it shortens the detection distance and increases the number of false alerts.

Filters and false alerts: For the correct functioning of the detector, it is essential to filter unwanted radar signals from sources other than police radars (eg adaptive cruise control of modern vehicles), so that the detector reports only police radars. The filter settings are further described on page 7 in the manual (ALERTS NOTIFICATION SETTINGS).

Laser measurement: Laser speed measurement is based on emitting an ultra narrow and short-time beam of electromagnetic light at the level of infrared radiation. The signal is transmitted for a very short time at a specific place (usually car's licence plate) and therefore, it is almost impossible to detect it in advance. The only effective protection against laser speed measurement is an additional active laser system.

GPS: The GPS antenna also detects measurements that do not emit any signals. These include section speed cameras, stationary speed cameras (induction loops) or "red-light cameras". We keep adding everything continuously to the GPS database of stationary threats - all you have to do is keep the detector updated.

CE - DECLARATION OF CONFORMITY

You can find the Declaration of Conformity in its entirety at:
genevo.com/en/ce-max.pdf

2021-08-23